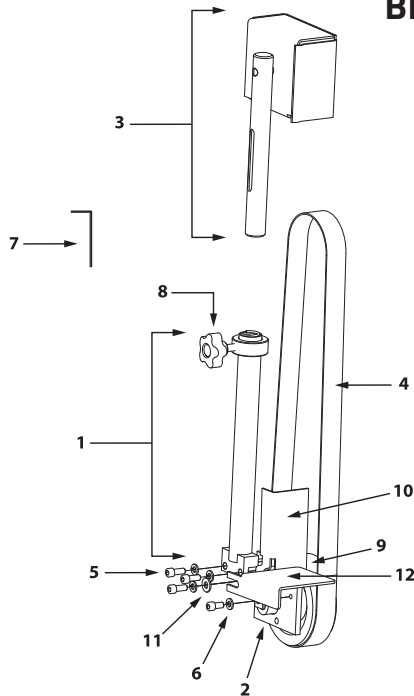


INSTRUCTIONS

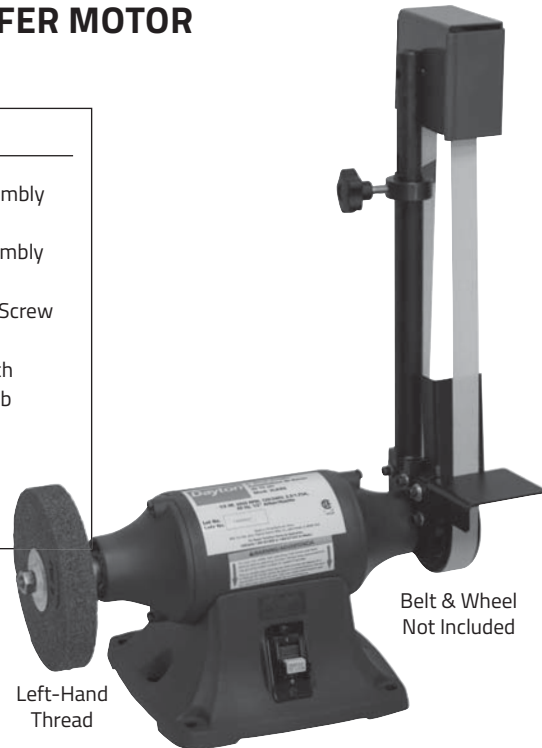
#BSBM

BELT SANDER / BUFFER MOTOR



PARTS

1. Sanding Arm Assembly
2. Mounting Plate
3. Upper Pulley Assembly
4. Belt
5. 1/4-20 x 5/8 Cap Screw
6. Lock Washer
7. 5/32" Allen Wrench
8. Collar Locking Knob
9. Drive Pulley
10. Belt Bracket
11. Flat Washer
12. Work Table



Install Sanding Belt Assembly

- 1** Place Sanding Arm Assembly (#1) on inside edge of Mounting Plate (#2) (already attached to motor) and attach using (2) 1/4-20 x 5/8 Cap Screws (#5) and Lock Washers (#6) with supplied 5/32" Allen wrench.
- 2** Loosen Collar Locking Knob (#8), install Upper Pulley Assembly (#3) into Sanding Arm Assembly (#1) and tighten Collar Locking Knob (#8) with Upper Pulley Assembly (#3) compressed in Sanding Arm Assembly (#1) (knob should lock at top of slot). **CAUTION:** Spring under compression, make sure Collar Locking Knob (#8) is secure before releasing Upper Pulley Assembly (#3).
- 3** Install Belt (#4) onto Drive Pulley (#9) (already attached to motor) and idler pulley, located in the Upper Pulley Assembly (#3). Loosen Collar Locking Knob (#8) to allow Belt (#4) to tighten. With Belt (#4) tight, rotate by hand to help center Belt (#4), rotate Upper Pulley Assembly (#3) as needed. After Belt (#4) looks centered, snug Collar Locking Knob (#8).
- 4** Install Belt Bracket (#10) to inside of Mounting Plate (#2) and behind front portion of Belt (#4). Attach with 1/4-20 x 1/2 Cap Screw (#5) and Lock Washer (#6) in bottom mounting hole. Do not fully tighten screw. Install 1/4-20 x 5/8 Cap Screw (#5), Lock Washer (#6), Flat Washer (#11) and Work Table (#12) to inside of Belt Bracket (#10) at top mounting hole. Do not fully tighten screw. With light pressure, hold Belt Bracket (#10) flush against backside of front portion of Belt (#4) and tighten screws. Adjust Work Table (#12) to level position that is not touching Belt (#4).
- 5** Plug the machine into outlet. Turn the unit on to test the sanding belt tracking. If additional adjustment is needed, loosen the Collar Locking Knob (#8) and turn the Upper Pulley Assembly (#3) right or left to center the Belt (#4). Re-tighten the Collar Locking Knob (#8). **NOTE:** Be careful not to touch the belt (#4) while the unit is running.

In Addition

- It is recommended that motor be mounted to workbench using (2) two 1/4"-20 bolts & nuts. (Not Included)
- To tighten nuts on motor shafts, requires a wrench on both nuts to prevent rotation.
- Buffing wheel installation instructions are supplied with buffing wheel.

NOTE: Always wear safety glasses when operating.