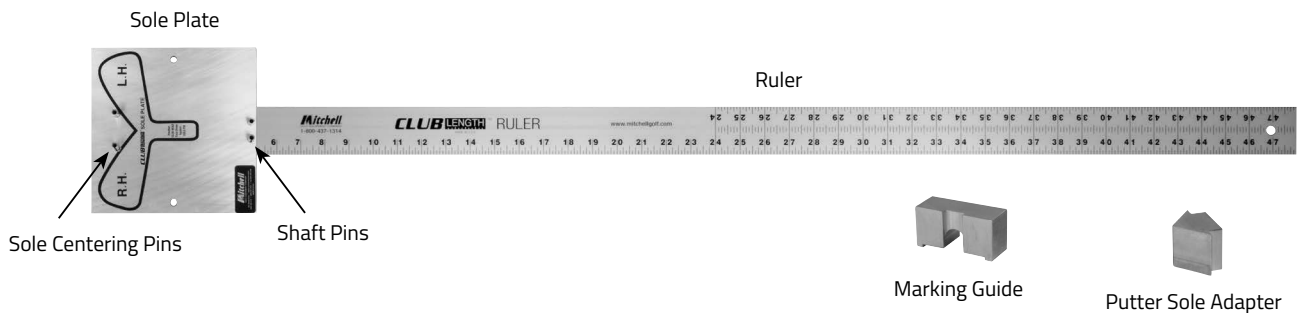


INSTRUCTIONS

#CLR-MT-KT

CLUBLENGTH™ RULER MEASURING TOOL KIT

For Woods, Irons & Putters



Measure & Cut To Desired Club Length

- 1** To measure and cut shaft to length, deburr and abrade the shaft tip after trimming. Next insert shaft into club head. Make sure shaft is at bottom of hosel bore or epoxy club to shaft first.
- 2** Lay club head face down on **Sole Plate** with shaft between the two **Shaft Pins** and club head flush against **Sole Centering Pins**. For putters place **Putter Sole Adapter** between **Sole Centering Pins** so the point faces the **Ruler**. Putter sole should touch point of **Putter Sole Adapter** (See Fig. 1). Butt of shaft should rest in center of the **Ruler**.
- 3** Place **Marking Guide** on **Ruler** with leading edge aligned to desired length. Use marking pen to mark cut-length on shaft inside cut-out parallel with leading edge of **Marking Guide** (See Fig. 2). This allows 1/8" for grip cap. Use opposite flat side to mark desired cut-length when not allowing for grip cap. Cut shaft at mark.

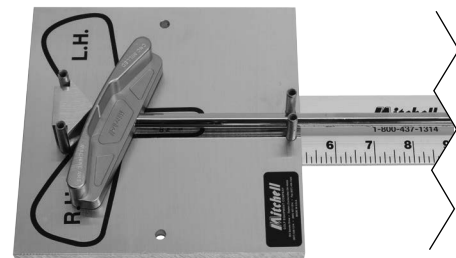


Fig. 1

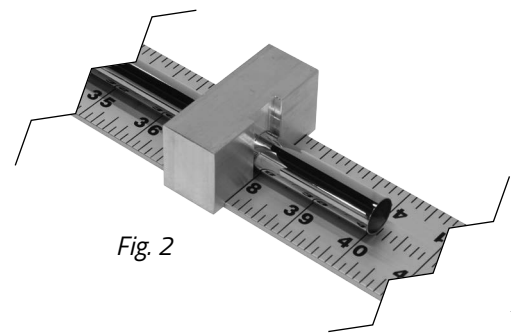


Fig. 2

Measure Length Of Assembled Clubs

- 1** Lay club head face down on **Sole Plate** with shaft between the two **Shaft Pins** and club head flush against **Sole Centering Pins**. For putters place **Putter Sole Adapter** between **Sole Centering Pins** so the point of **Putter Sole Adapter** faces the **Ruler** (See Fig. 1). Grip should rest in center of the **Ruler**.
- 2** Read club length at the end of the grip.