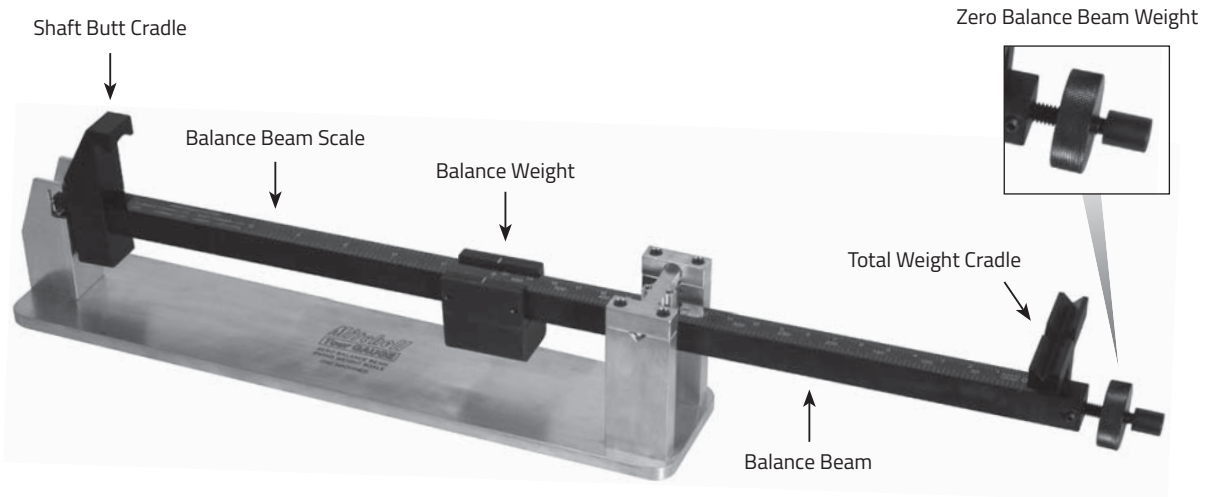


**INSTRUCTIONS**

#TGSWS

**TOURGAUGE® SWING WEIGHT SCALE**



- 1 LEVEL BALANCE BEAM:**  
Position **Balance Weight** at zero on **Balance Beam Scale**. Adjust **Zero Balance Beam Weight** until **Balance Beam** is level.
  
- 2 MEASURE SWING WEIGHT:**  
Position butt of club in **Shaft Butt Cradle** and adjust **Balance Weight** until **Balance Beam** is level (See Fig. 1). Read corresponding swing weight.
  
- 3 MEASURE TOTAL WEIGHT:**  
Balance club on **Total Weight Cradle** and adjust **Balance Weight** until **Balance Beam** is level. Read corresponding weight in ounces or grams.



Fig. 1